

# Fire Alarm Bell



### Technical Specifications >>

|                       |  |
|-----------------------|--|
| DC Rated Voltage      | 12V Model (8-16) DC<br>24V Model (20-28V) DC |
| Sound Output          | 1 Meter@95dBA<br>3 Meter@92dBA               |
| Operating Temperature | -20°C to 60°C                                |
| Current Consumption   | 25mA   |
| Humidity              | Max. 90% RH                                  |
| Dimensions            | 6" ( 150mm x 56mm)                           |
| Weight                | 764gm  |
| Finished              | Signal Red                                   |
| IP Rating             | IP33   |

### Introduction

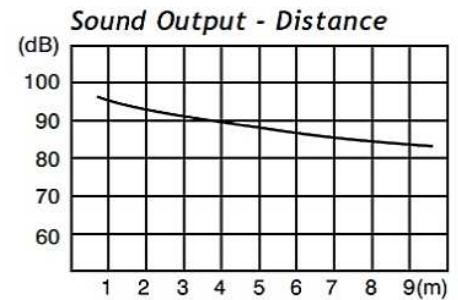
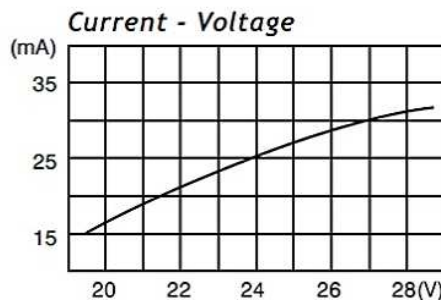
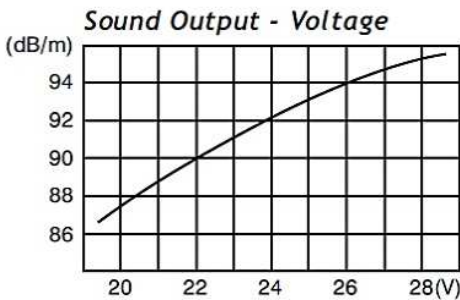
The Kawapi KP-301 alarm bell is an easy to install, maintenance free signaling device designed to cater for the needs of Fire Detection System with Central Control Equipment. This low current, high performance bell, services the needs of most adverse condition providing fewer working parts, easy installation, high level sound output. Providing a clear warning to personnel during emergency. The KP-301 alarm bell is designed to EN-54 with built in varistor to meet the EMC requirement.

### Product Benefits & Features >>

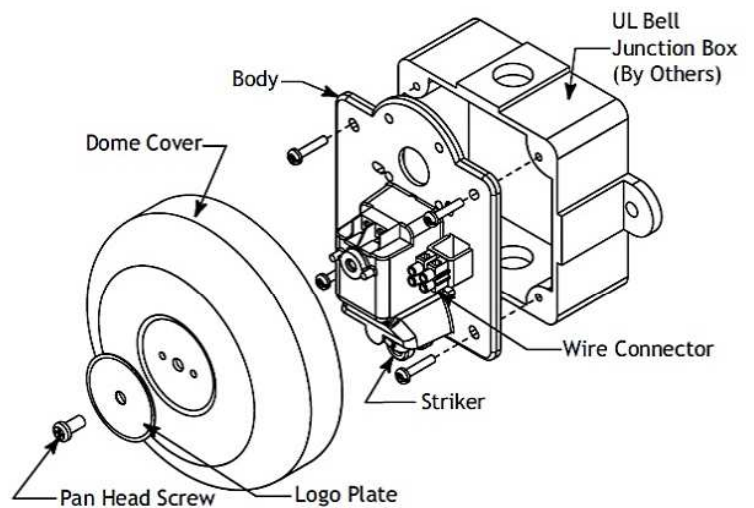
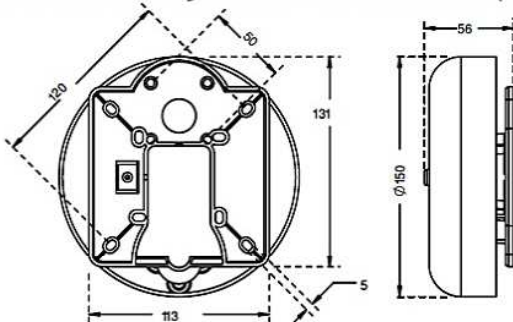
- > Low Cost
- > High Quality
- > Easy Installation
- > Low Current Consumption
- > Rugged Compact Mechanism
- > Built-In Internal EMC Varistor
- > No Adjustment Of The Bell Is Required

### Product Installation >>

Remove the screw & cover, mount body into junction box, fixing the screw & cover after connect incoming wire to Wire Connector.



### Product Layout & Dimension (mm) >>



Distributed by



**VIC ENGINEERING SDN. BHD.**

(Co. No. 210158-P)

No. 2 & 4 Jalan Jenaris 2B, Desa Sri Jenaris, 43000 Kajang  
Selangor Darul Ehsan, West Malaysia.

Tel : (6) 03-8739 9043 (Hunting Line) Fax : (6) 03-8739 8043

E-Mail : vic\_sb@streamyx.com Website : www.vic.com.my



**Kawapi**™  
Quality · Innovative · Competitive