

# KP-310 FIRE ALARM SOUNDER

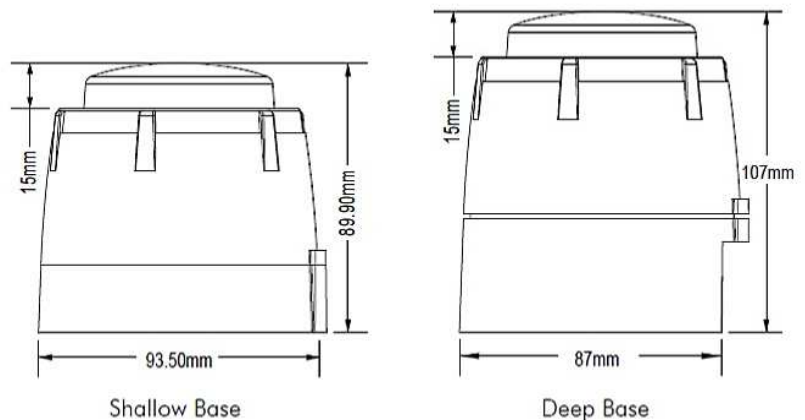
**Introduction** The Kawapi KP-310 Fire Alarm Sounder is an alarm device comprising a sounder & beacon for use with Fire Alarm Systems or industrial usage. The sounder beacon is used to provide audible and visual warning at the same time simplify commissioning process. It is simple choice as to whether to switch both sounder and beacon together or switch off the sounder where a sounder may not be permitted. Tones and volume are selectable via DIL switch.



## Product Benefits & Features

- Easy installation through terminal block
- Fully EN54 Compliance
- 4 Tones selectable
- Low cost, High Quality
- High Brightness LED Output
- Low Current, High Output
- 2 Level Volume Control

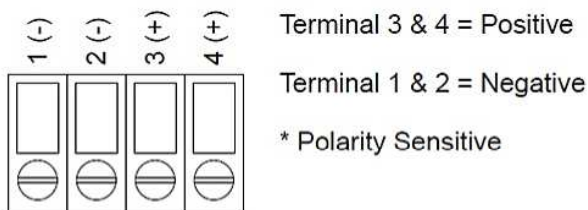
## Product Dimension (mm)



## Switch Configuration

1	OFF 0	ON	SOUND
2	0		TONE
3	0		SELECTION
4	LO 0	HI	VOLUME

## Connection



## Technical Specifications

Number of Tones	4
Sound Level @1m	Low-88dBa, High-100dBa
Operating Frequency	500Hz ~ 1200Hz
Volume Control	10dBa
Current Consumption @24VDC	
Low Sound Level	13mA, 22mA w/Beacon
High Sound Level	21mA, 35mA w/Beacon
Operating Voltage	18 - 35VDC
LED Flash Rate	1Hz
Ingress Protection	IP43 or IP65
Operating Temperature	-20°C To +70°C
Weight	146gm / 166gm

Distributed by



**VIC ENGINEERING SDN. BHD.**

(Co. No. 210158-P)

No. 2 & 4 Jalan Jenaris 2B, Desa Sri Jenaris, 43000 Kajang  
Selangor Darul Ehsan, West Malaysia.

Tel : (6) 03-8739 9043 (Hunting Line) Fax : (6) 03-8739 8043

E-Mail : vic\_sb@streamyx.com Website : www.vic.com.my



**Kawapi™**  
Quality · Innovative · Competitive