

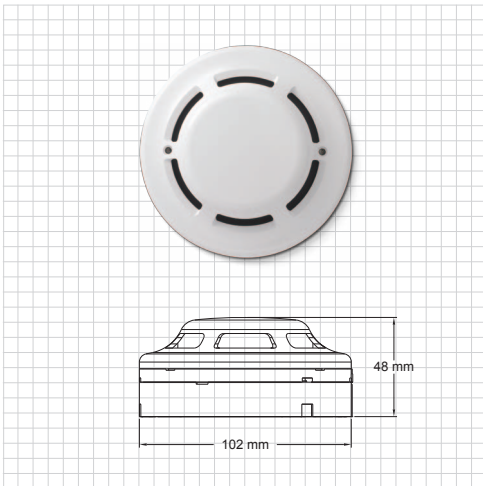


Q01

Photoelectric Smoke Detector

Characteristics

- The standard detector is 2-wire or 3-wire. For 4-wire type just add one relay output module on 3-wire base. Simple and easy module placement enables wider application and flexible stock control.
- Detector is made of high endurance, solid and colorfast Fire-proof plastic.
- Non-loosening screws on base terminal for easy installation.
- Detector has passed strict EMC test, which greatly eliminates false alarms caused by interference from nearby sources.
- Dual LEDs for 360-degree visibility. Bi-color LED, Stand-by Status: Green; Alarm Status: Red.



Approvals: EN54



Effective alert area

Building Height	Area Covered
Under 4M	150 M ²
4 ~ 20M	75 M ²

Order information

Q01-2	2-wire
-------	--------

Specifications

Model	Q01-2
Alarm Contact	N/A
Voltage Range	12 ~ 30V DC
Alarm Current @ 24V DC 470Ω	40mA
Standby Current	25 ~ 75 μA
Sensitivity Setting	Comply to EN54
Ambient Temperature	-10°C ~ + 55°C
Material	Fire-proof plastic
Dimensions	102mm (Dia.) x 48mm (H)
Weight	130g
Color	White

VIC ENGINEERING SDN. BHD.

(Co. No. 210158-P)

No. 2 & 4 Jalan Jenaris 2B, Desa Sri Jenaris, 43000 Kajang Selangor Darul Ehsan, West Malaysia.

Tel : (6) 03-8739 9043 (Hunting Line) Fax : (6) 03-8739 8043

E-mail : general@vic.com.my Website : www.vic.com.my