

Q05

Combination Smoke and Heat Detector

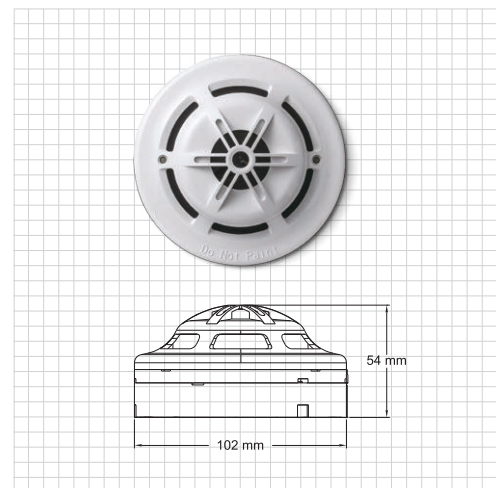
Characteristics

- The standard detector is 2-wire or 3-wire. For 4-wire type just add one relay output module on 3-wire base. Simple and easy module placement enables wider application and flexible stock control.
- Detector is made of high endurance, solid and colorfast Fire-proof plastic.
- Non-loosening screws on base terminal for easy installation.
- Detector has passed strict EMC test, which greatly eliminates false alarms caused by interference from nearby sources.
- Dual LEDs for 360-degree visibility. Bi-color LED, Stand-by Status: Green; Alarm Status: Red.

Approvals: EN54



5066/04/05/06



Specifications

Model	Q05-2
Alarm Contact	N/A
Voltage Range	12 ~ 30V DC
Alarm Current @ 24V DC 470Ω	40mA
Standby Current	35 ~ 85 μA
Sensitivity Setting	Comply to EN54
Thermal Setting	58°C
Ambient Temperature	-10°C ~ + 55°C
Material	Fire-proof plastic
Dimensions	102mm (Dia.) x 54mm (H)
Weight	130g
Color	White

Effective alert area

Building Height	Area Covered
Under 4M	150 M ²
4 ~ 20M	75 M ²

Order information

Q05-2	2-wire
-------	--------