

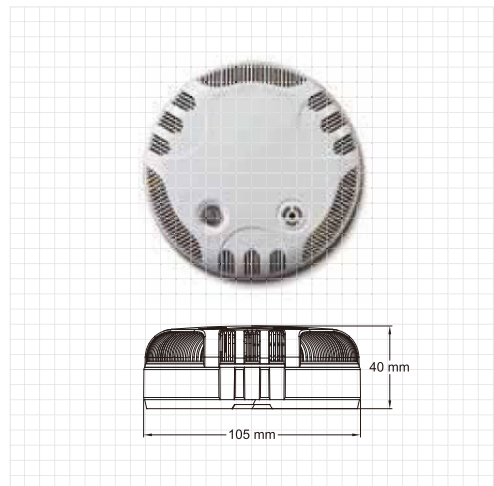
# QA31

## Single Station Smoke Detector

### Characteristics

- The QA31 features advanced photoelectric technology for precise detection. When smoke is detected or the manual test button is pressed, the buzzer sounds and LED flash.
- Low-Battery Warning: Unit beeps and LED flash intermittently to indicate battery needs replacing.
- Simple test method: Press test button to hear the alarm sound and confirm the unit is in normal condition.
- Easy installation: Install directly to proper location without any wiring.
- It is equipped with 9VDC battery, and optional 110VAC or 220VAC power plug is available.
- Optional relay output : COM. NO. NC.
- Optional series connection wiring can co-activate up to 15 detectors.

Approvals: 



Specifications	
Model	QA31
Power	9V battery
Sensitivity Setting	Comply to EN14604
Indicator	Standby: flash every 40 seconds
	Alarm: flash and beep continuously
	Battery abnormal: beeps and flash intermittently
Sound	90dB / M and above
Ambient Temperature	-10°C ~ +55°C
Material	Fire-proof plastic
Dimensions	105mm(Dia.) x 40mm(H)
Weight	About 150g
Color	White
Optional Function	Type 1 : 9V battery
	Type 2 : includes signal transfer COM. N.O. N.C.
	Type 3 : build-in 110VAC or 220VAC plug
	Type 4 : Type 2 + Type 3

Effective alert area	
Building Height	Area Covered
Under 4M	150 M <sup>2</sup>
4 ~ 20M	75 M <sup>2</sup>