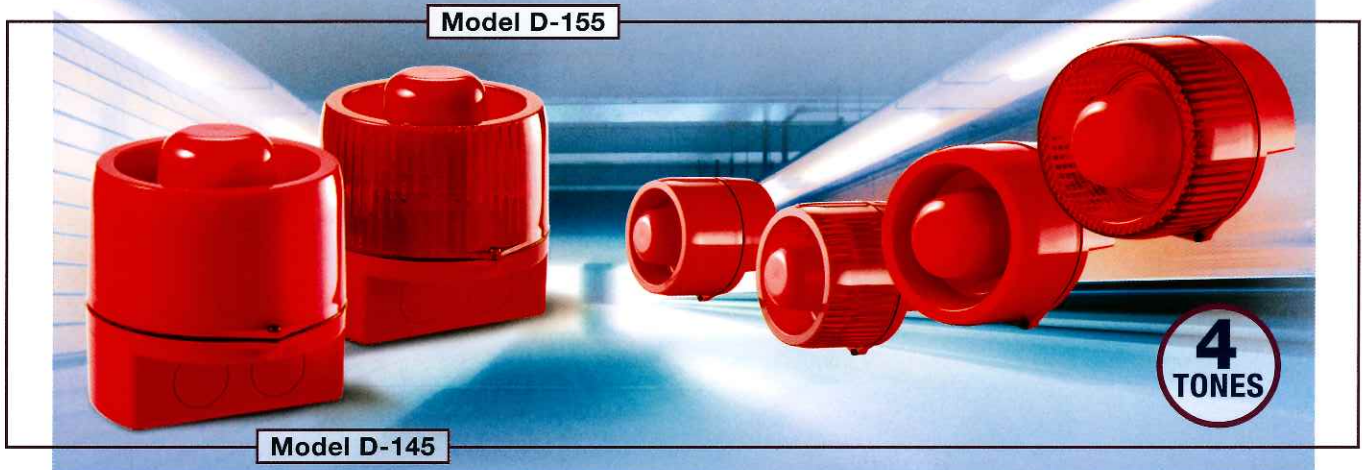


SOUNDER D-145 ■ SOUNDER/BEACON D-155

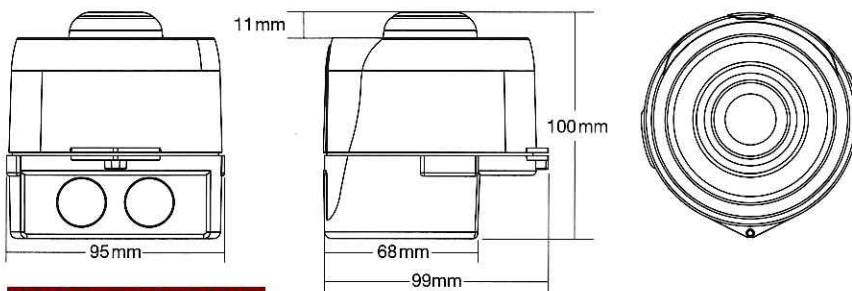


DESCRIPTION

DEMCO Electronic Sounder **D-145** and Sounder/Beacon **D-155**'s compact design is acoustically very efficient, capable of generating high sound output (103 dBA) at low current levels (13mA at 24VDC). They also have a wide angle uniform sound distribution providing good audibility in all directions, thus making them ideal for fire, security and hazard warning. Both of these conventional wall mount devices are available in 4 tone versions with locally controllable output levels to enable the sound intensity to be adjusted to suit the application.

Both **D-145** and **D-155** operate over a wide input voltage range of 8 to 35V DC, and are optimised for use at 12V and 24V systems. If required, the use of a third wire enables a second stage alarm to be switched to override the selected tone. These versatile features allow both models to work seamlessly with most detection systems incorporating central control equipment.

Combining performance and functionality, DEMCO **D-145** and **D-155** are designed to be fully comply with EN54 and meet protection rating of IP65.



SPECIFICATIONS

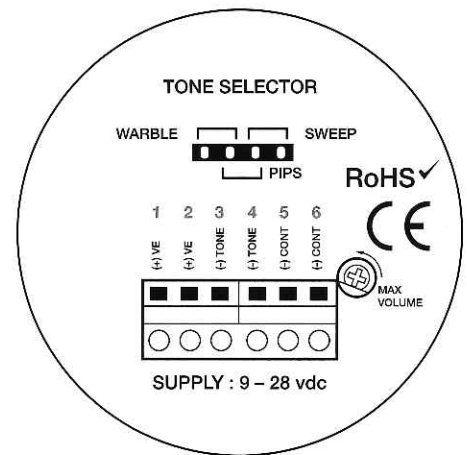
	D-145 (Sounder)		D-155 (Sounder/Beacon)	
	Lowest	Highest	Lowest	Highest
Output @ 1 metre 24VDC	68 dB	100 dB	68 dB	95 dB
Current @ 24VDC:	6 mA	13 mA	13 mA	22 mA
Voltage Range	8 to 35VDC			
Operating Frequency	800Hz to 1000Hz			
Number of Tones	4			
Volume Control	Adjustment Screw			
Operating Temperatures	-20°C to +70°C			
Size (H x W x D)	100 X 95 X 99mm			
Protection Classification	IP65			
Approximate Weight	160g		182g	

* Please specify **D-145C** or **D-155C** when polycarbonate body is required. Prices vary from ABS plastic.
 ** Applies to Sounder/Beacon **D-155** and **D-155C** only.

Specifications are subject to change without prior notice.

DEMCO ADVANTAGES

- Available in ABS or polycarbonate body* with polycarbonate Fresnel lens.**
- Automatic sounder synchronization.
- High sound output, low current consumption.
- 4 On-board selectable tones.
- Adjustable volume control screw.
- High reliability and stable performance.
- High brightness LED.
- Fully EN54 compliance.
- Excellent value/price ratio.



For sweep, warble or pips, wire negative to terminal 3 and/or 4 (-) TONE.

For continuous tone wire negative to 5 and/or 6 (-) CONT
 Note that the (-) CONT tone will override the (-) TONE

DEMCO
INDUSTRIES SDN BHD
www.demcoalarm.com

Lot 3928, Jalan Keretapi Lama
 Off Jalan Kapar 5 1/2 Miles
 42100 Klang
 Selangor Darul Ehsan
 West Malaysia
 Tel: +603-3290 3333
 Fax: +603-3290 2288
 E-mail: sales@demcoalarm.com



Quality without Compromise