

FIRE ALARM CALL POINT D-101



Model D-101

DEMCO ADVANTAGES

- Double terminal wire connectors for independent input and output connections which facilitate installations when used in looping.
- Provision of thread protection plugs which protect the thread of the brass inserts on the base box when conceal fixing is necessary.
- Incorporation of the manually operated test push button which permits the front cover to be opened without activating the alarm.

SPECIFICATION

Size (H x W x D)	83 X 113 X 50 mm
Current Ratings	12/24V DC 10A 48V DC 3A 250V AC 10A
Net/Gross Weight	188/208g
SIRIM TEST REPORT 83LL130	

Specifications are subject to change without prior notice.

DESCRIPTION

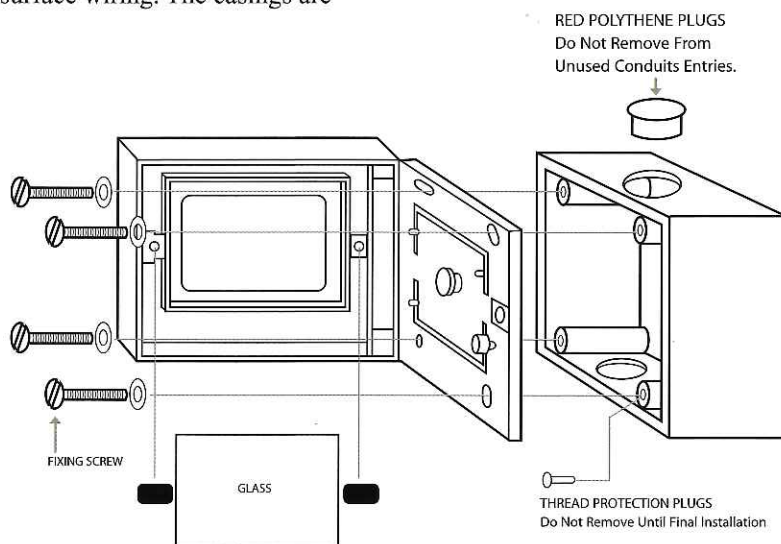
DEMCO Manual Call Point **D-101** is suitable for open or closed circuit system and is professionally designed for use in fire detection systems with central control equipment. Alternative terminals are provided for open or close circuits. When wired for open circuit operation, the circuit closes instantly when the glass is smashed. Openings are provided for 3/4" Ø conduit entries from top, bottom and the back. The base box is also provided with fixing holes for surface wiring. The casings are

moulded from specially selected engineering plastic, which comes in 5 different colours, with high impact strength, high resistance to heat. All non-electrical metal parts are made of brass and phosphor bronze to ensure life long resistance against corrosion. And all electrical contacts are made of pure silver.

DEMCO Manual Call Point **D-101** is designed to meet the requirement of BS5839 Part 2 and approved by Australian Standard AS1603 Part 5.



RANGE OF CASING COLOURS
White, Yellow, Green, Red, Blue



DEMCO
INDUSTRIES SDN BHD
www.demcoalarm.com

Lot 3928, Jalan Keretapi Lama
Off Jalan Kapar 5 1/2 Miles
42100 Klang
Selangor Darul Ehsan
West Malaysia
Tel: +603-3290 3333
Fax: +603-3290 2288
E-mail: sales@demcoalarm.com



Quality without Compromise