

ELECTROMAGNETIC DOOR HOLDER

Model D-111 & D-111 AC



DESCRIPTION

DEMCO Electromagnetic Door Holders **D-111 & D-111 AC** are attractively designed and ruggedly constructed. The contact plate can be adjusted to suit any door angle. Demco Electromagnetic Door Holders have a minimum holding force of approximately 35/50kg and can hold most type of doors.

In application, the device releases the door when signaled by the fire alarm system, which then allows the door closing mechanism to close the door. This unit also have a Manual Release Switch to release the door manually or to test the operation of the unit. Each unit is housed in high grade ABS Polycarbonate casing and has a built-in Brass Pin Instant Release that is designed for better reliability and performance.

DEMCO ADVANTAGES

- Incorporation of Manual Release Switch.
- Residual Magnetism Release Brass Pin – for instant release.
- Wide angle rotatable Contact Plate.
- High holding force.
- Easy visible access from side and rear.
- 220/240VAC version is fitted with power fuse.

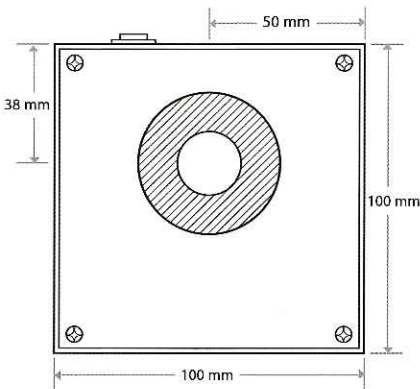
SPECIFICATION

	D-111	D-111 AC
Supply Voltage	24V DC	210-264VAC
Supply Current	60 mA	8mA@230VAC
Input Power	1.5 W	2 W
Holding Force*	20.5kg/35kg /50kg Min	50kg
Net/Gross Weight	652/690g	660/700g

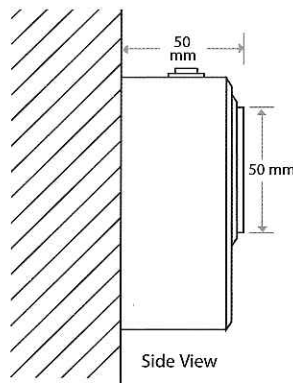
SUITABLE FOR INDOOR APPLICATION

Specifications are subject to change.

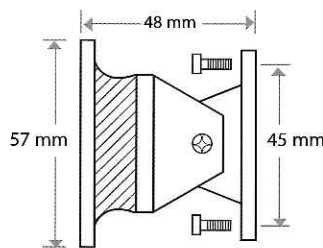
* Please specify holding force when ordering



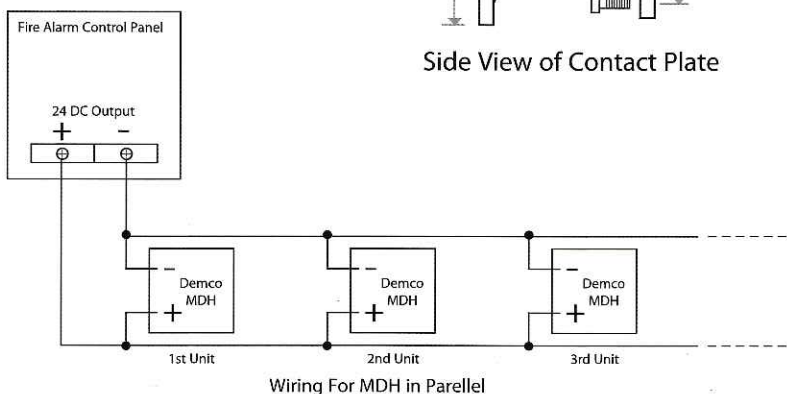
Front View of Electromagnetic Door Holder



Side View



Side View of Contact Plate



Lot 3928, Jalan Keretapi Lama
Off Jalan Kapar 5 1/2 Miles
42100 Klang
Selangor Darul Ehsan
West Malaysia
Tel: 603-3290 3333
Fax: 603-3290 2288
E-mail: sales@demcoalarm.com
demco@tm.net.my



Quality without Compromise