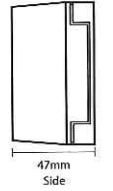
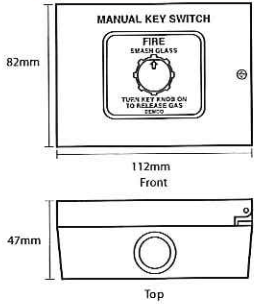


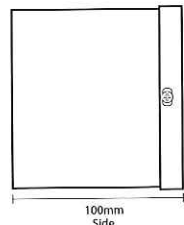
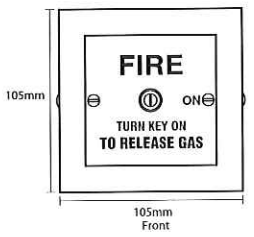
# EMERGENCY KEY BOX/MANUAL KEY SWITCH/NOZZLE BOX



## Manual Key Switch

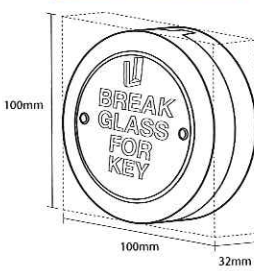


Casing Material  
ABS Plastic  
Net Weight  
D-101KS: 175g



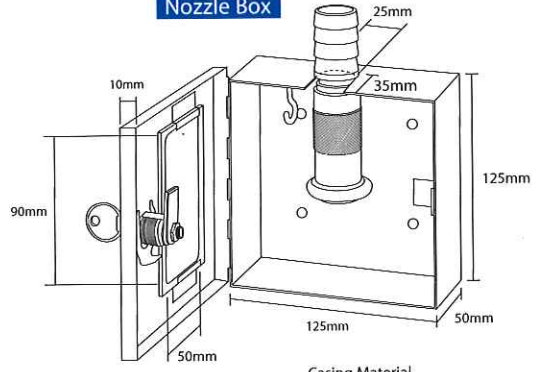
Casing Material  
Mild Steel  
Net Weight  
D-105: 760g

## Emergency Key Box



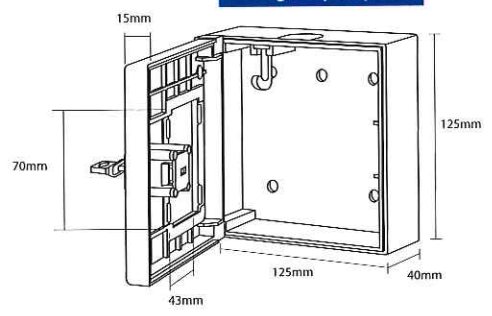
Casing Material  
ABS Plastic  
Net Weight  
D-106: 125g

## Nozzle Box



Casing Material  
Mild Steel  
Net Weight  
D-109: 682g

## Emergency Key Box



Casing Material  
ABS Plastic  
Net Weight  
D-112: 250g



Lot 3928, Jalan Keretapi Lama  
Off Jalan Kapar 5 1/2 Miles  
42100 Klang  
Selangor Darul Ehsan  
West Malaysia  
Tel: +603-3290 3333  
Fax: +603-3290 2288  
E-mail: sales@demcoalarm.com



Specifications are subject to change without prior notice.

Quality without Compromise