

VIC-801 FIRE ALARM BELL

Introduction

Motorised

The VIC-801 motorised bell is an easy to install, maintenance free signaling device designed to cater for the needs of Fire Detection System with Central Control Equipment. This low current, high performance bell, services the needs of most adverse condition providing fewer working parts, easy installation, high level sound output. Providing a clear warning to personnel during emergency.

The VIC-801 Alarm Bell is EN-54-3 certified, with built in varistor to meet the EMC requirement & CE Marked.



Technical Specifications

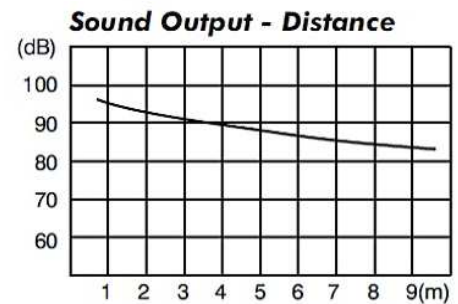
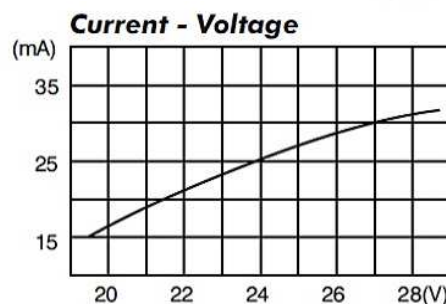
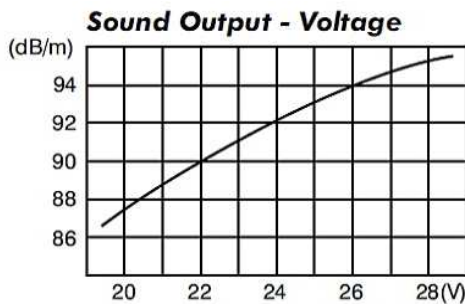
DC Rated Voltage	12V Model (8-16) DC 24V Model (20-28V) DC
Sound Output	1 Meter@95dBA 3 Meter@92dBA
Operating Temperature	-20°C to 70°C
Current Consumption	30mA
Humidity	Max. 90% RH
Dimensions	150mm/6" x 62mm/2.5"
Weight	743gm/805gm
Finished	Signal Red
IP Rating	IP33C

Product Benefits & Features

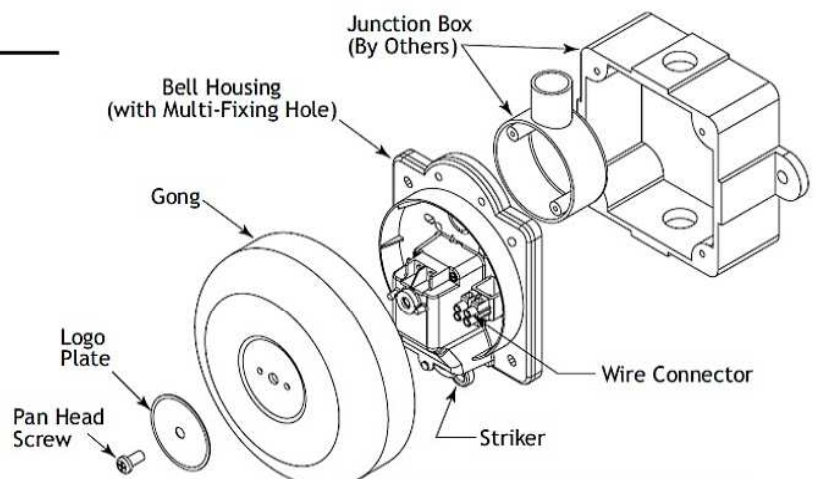
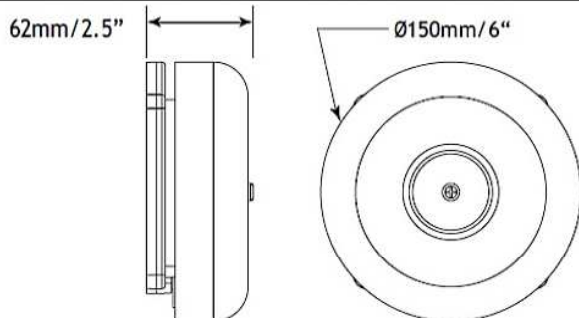
- > Approved To EN54-3
- > CE Marked
- > Low Cost, High Quality
- > Easy Installation
- > Low Current Consumption
- > Rugged Compact Mechanism
- > Built-In Internal EMC Varistor
- > No Adjustment Of The Bell Is Required

Product Installation

Remove the screw & gong, mount body into junction box, replace the screw & gong after connect incoming wire to Wire Connector.



Product Layout & Dimension (mm)



Caution: CARE SHOULD BE TAKEN TO AVOID DAMAGE TO THE STRIKER MECHANISM

Distributed by



VIC ENGINEERING SDN. BHD.

(Co. No. 210158-P)

No. 2 & 4 Jalan Jenaris 2B, Desa Sri Jenaris, 43000 Kajang
Selangor Darul Ehsan, West Malaysia.

Tel : (6) 03-8739 9043 (Hunting Line) Fax: (6) 03-8739 8043

E-Mail: vic_sb@streamyx.com Website: www.vic.com.my