



# VIC ENGINEERING SDN. BHD. (210158-P)

No.2 & 4, Jalan Jenaris 2B, Desa Sri Jenaris, 43000 Kajang,  
Selangor Darul Ehsan, West Malaysia.  
Tel : 603-8739 9043 (Hunting Line) Fax ; 603-8739 8043  
E-mail : vic\_sb@streamyx.com Website : www.vic.com.my



## VIC FIRE HOSE

### JACKET

- 100% high tenacity synthetic yarn, circular-woven (reinforcement)
- Embedded in a compact vulcanized rubber

### FEATURES

- Lightweight & highly flexible
- Resistant to kinking, abrasion, heat, chemicals, oil, weathering, ultraviolet light & ozone

### LINING & COVER

- High-quality, special synthetic rubber on the basis of the Nitrile/PVC
- Extruded through the weave
- Very smooth for minimum friction loss
- Longitudinal ribs in the external covering for high abrasion-resistance
- Standard colour : white, others on request

### APPLICATIONS

- Building Protection
- Industrial Fire Brigade
- Shipboard
- Marine & Offshore
- Chemical Industry



### TECHNICAL DATA

Inner Diameter	mm	40	50	65
	inch	1-1/2"	2"	2-1/2"
Bursting Pressure	bar	30/39	30/39	30/39
	psi	435/565.5	435/565.5	435/565.5
Working Pressure	bar	10/13	10/13	10/13
	psi	145/188.5	145/188.5	145/188.5
Weight w/o coupling	g/m	120/140	165/185	200/230

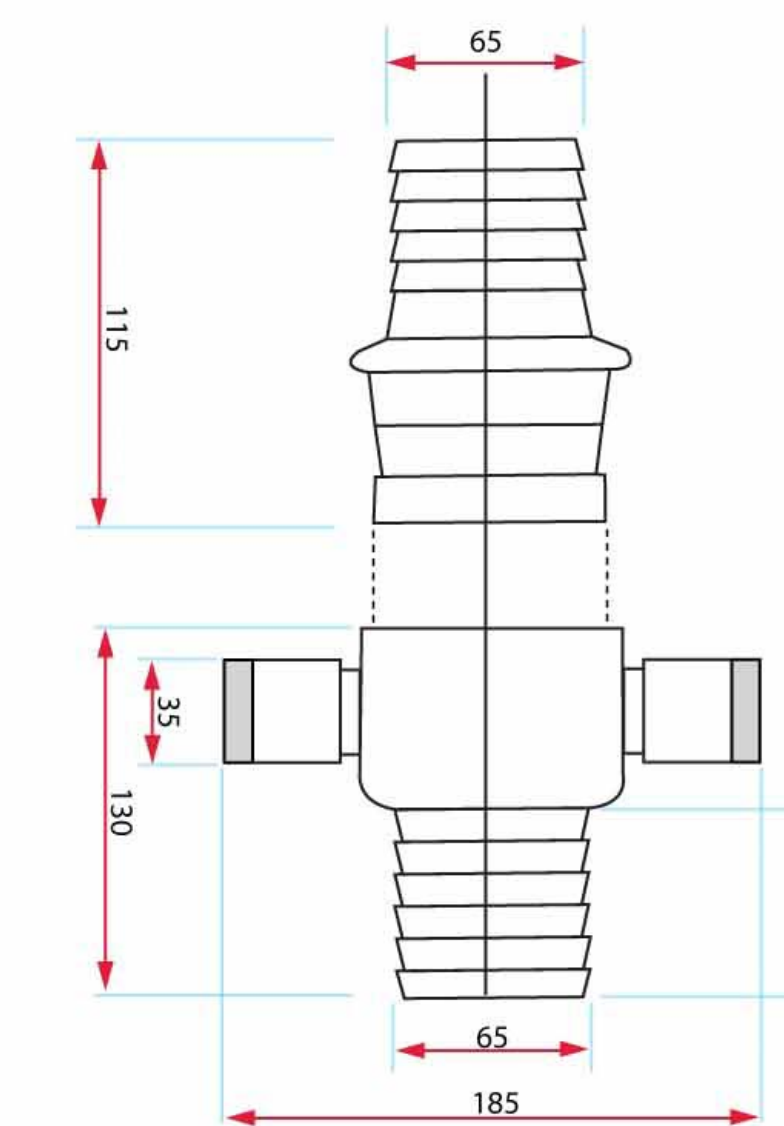
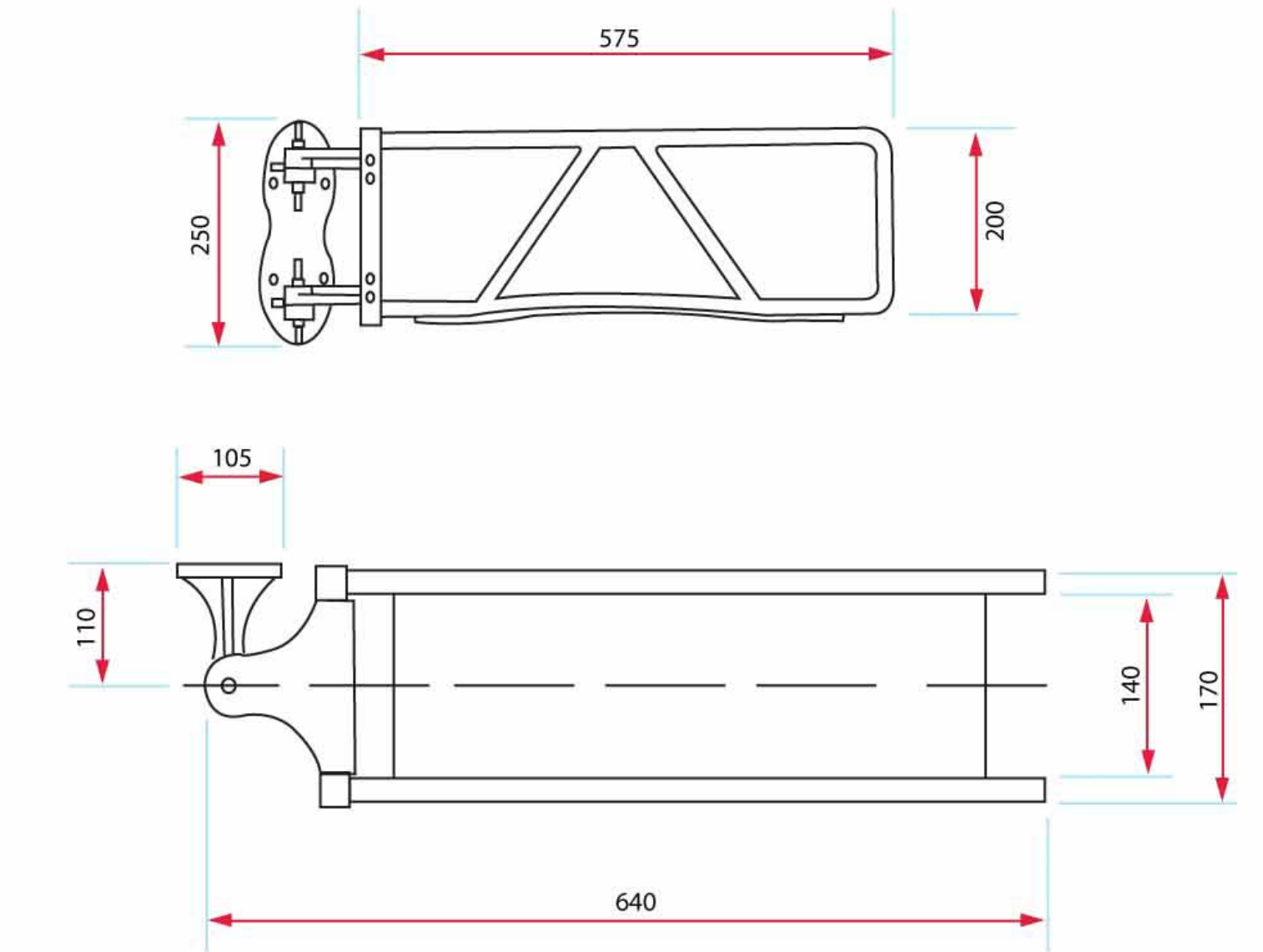
WE RESERVE THE RIGHT TO CHANGE SPECIFICATIONS AND OTHER INFORMATION INCLUDED IN THIS CATALOGUE WITHOUT NOTICE.



### Hose Cradle

- Material** : Light Alloy / Mild Steel  
**Model** : HYD 013  
**Finish** : Standard red polyester electrostatic powder coating

**Dimension** : mm

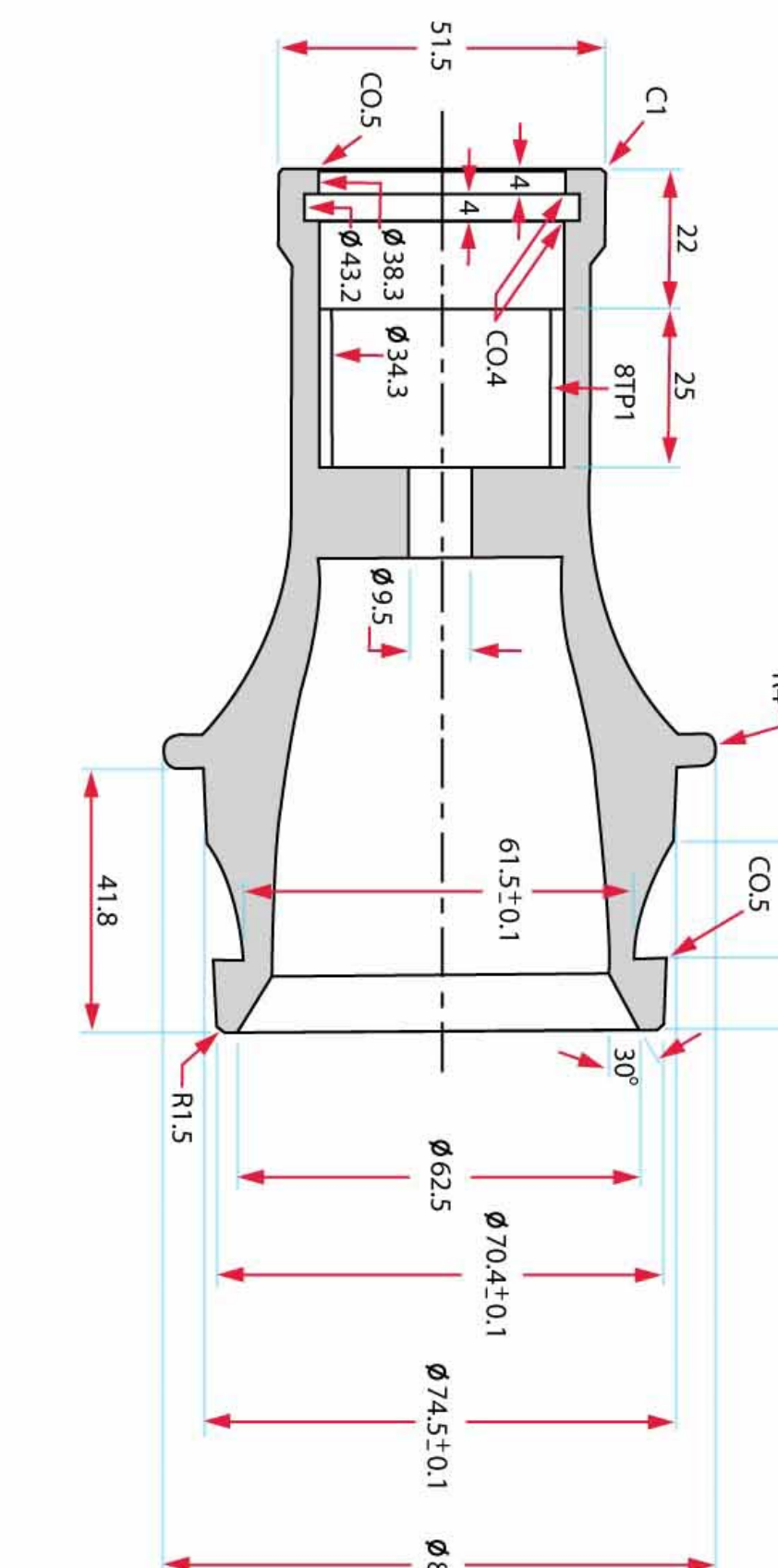


### Instantaneous Coupling

- Manufactured to** : BS 336  
**Body Material** : Light Alloy / Bronze  
**Test Pressure** : 22.5 Bar  
**Washer** : Rubber  
**Connection** : Double Lug Pull Release

**Dimension** : mm

Size	Material	Model
45 mm	L.A.	-
45 mm	G.M.	-
65 mm	L.A.	HYD 007
65 mm	G.M.	HYD 008



### Diffuser Nozzles

- Manufactured to** : BS 336  
**Material** : Aluminium alloy  
**Finishing** : Natural  
**Inlet size** : Male Instantaneous

**Dimension** : mm