

PRESSURE CONTROL SWITCH



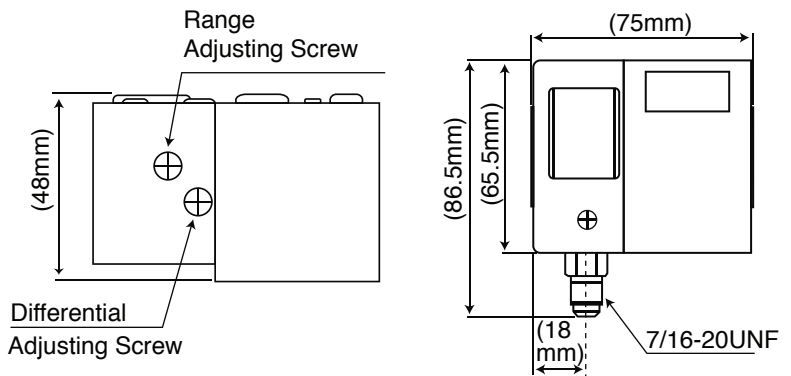
DESCRIPTION

Saginomiya has a proven history of 60 years continually manufacturing pressure controls. The technological power and expertise of Saginomiya refined through this history of know-how, expertise and experience is now presenting to you the "YS Series" featuring the smallest and lightest size in the industry. The real power hidden in the small body supports the control technology of the world.

APPLICATIONS

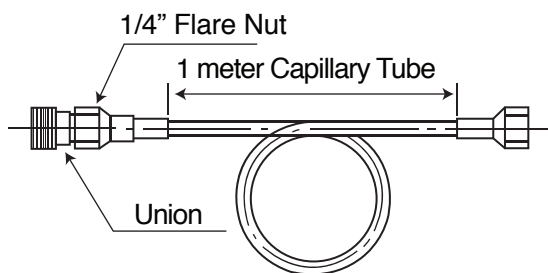
- Condensing units
- Cooling units
- Chillers
- Dehumidifiers
- Cold storage and refrigeration units for industrial applications

DIMENSIONS



ACCESSORY

Pressure dampening capillary tube assembly



CONTACT FUNCTION

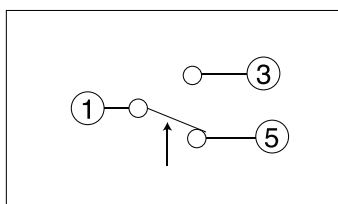


Diagram 1

↑: Operating direction on press. Increase at High Press. Side

ELECTRICAL RATINGS

Rated Voltage (V)		Power Factor (cos ϕ)	125/250V. AC
Rated Amps (A)			
Non-Inductive Current		1	12
Inductive Current	Full Load	0.75	
	Locked Rotor	0.45	72

* Minimum contact capacity : 50mA

TYPE NUMBER SELECTION

Unit:MPa {kgf/cm²}

Catalog No.	Refrigerant	Range		Differential		Factory Setting		Max. Working Pressure	Contact Function	Wt (Kg)
		Min	Max	Min	Max	Off (On)	On (Off)			
SYS-C106X0	R404A,	-0.6{-50cmHg}	0.6{6}	0.06{6}	0.4 {4}	0.2 {2}	0.3 {3}	1.65 {16.5}	Diagram 1	0.24
SYS-C110X0	R407C	0.1 {1}	1{10}	0.1 {1}	0.3 {3}	0.4 {4}	0.6 {6}			
SYS-C130X0	R134a, R22, R410A	0.5 {5}	3 {30}	0.3 {3}	1 {10}	1.5 {15}	2 {20}	3.3 {33}		